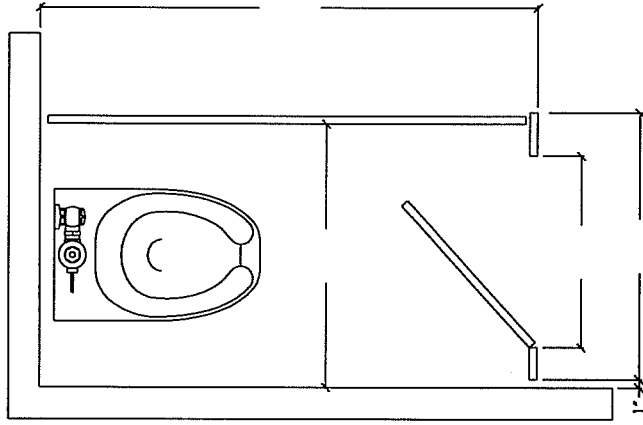


**HIMMEL'S**  
 ARCHITECTURAL DOORS & HARDWARE  
 P.O. BOX 960  
 PRAIRIEVILLE, LA 70769-0960  
 PHONE: 225-673-8777

# RESTROOM PARTITIONS

NOTE: PLEASE CHANGE SWING  
 OF DOOR IF NEEDED.



DATE: \_\_\_\_\_

CUSTOMER NAME: \_\_\_\_\_

COMPANY NAME: \_\_\_\_\_

BILLING ADDRESS: \_\_\_\_\_

SHIPPING ADDRESS: \_\_\_\_\_

PHONE #: \_\_\_\_\_

FAX #: \_\_\_\_\_

EMAIL: \_\_\_\_\_

# OF URINAL SCREENS NEEDED:  
 24" X 42" \_\_\_\_\_ EA.

FOR OPPOSITE ROOM LAYOUT  
 PLEASE CHECK HERE: \_\_\_\_\_

CIRCLE MATERIAL:

POWDER COATED STEEL      STAINLESS STEEL

PLASTIC LAMINATE      SOLID PLASTIC

SOLID PHENOLIC      SOLID PHENOLIC

CIRCLE STYLE:

FLOOR MOUNTED ONLY      FLOOR MOUNTED/OVERHEAD BRACED

FLOOR TO CEILING      CEILING HUNG